

## Parts Lists

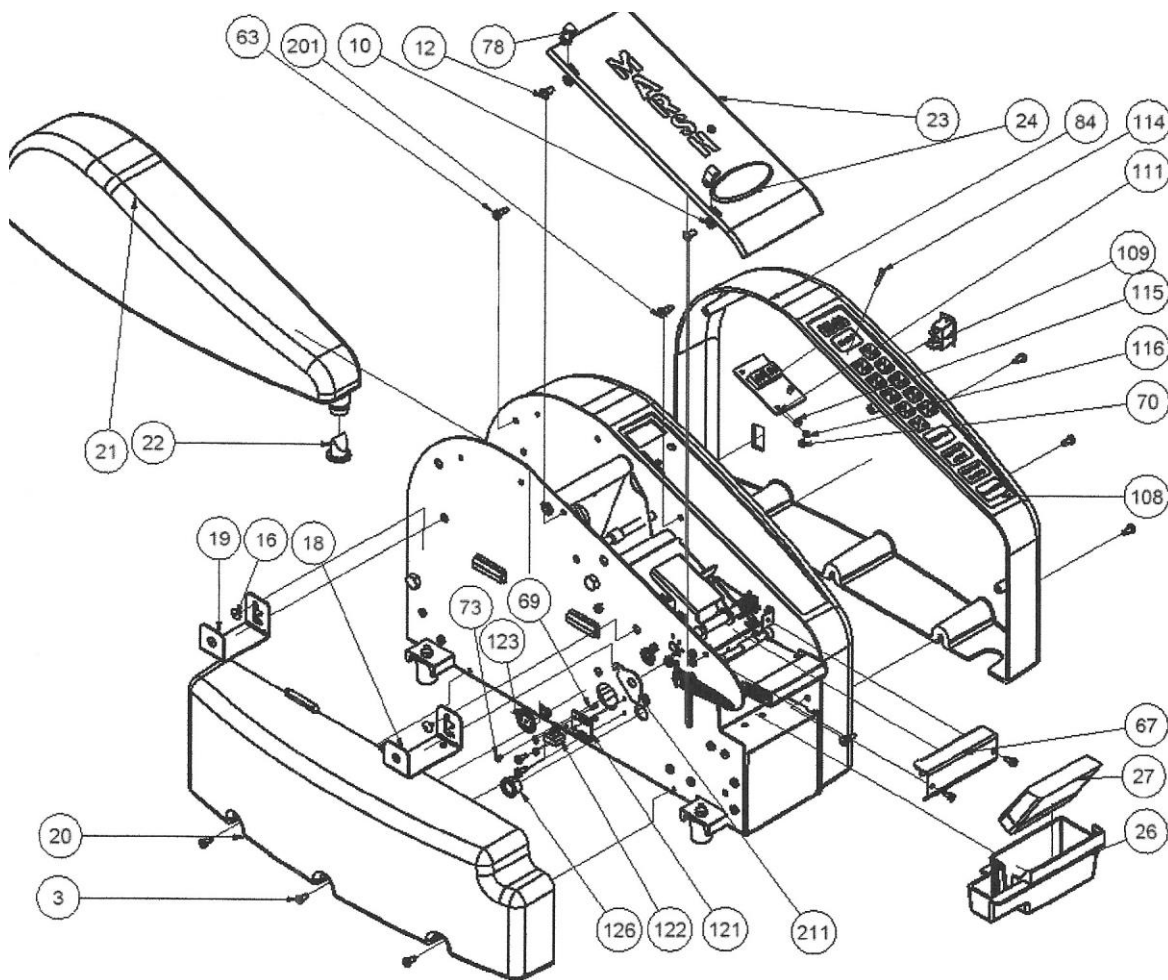
Replacement Part Table for  
TD 2100 Electric Drawing #1

| Replacement Part Number | Description                           | Item Number | Item Description | Quantity |
|-------------------------|---------------------------------------|-------------|------------------|----------|
| RP40310                 | Top Cover Assembly                    | 23          | Top Cover        | 1        |
|                         |                                       | 24          | Logo             | 1        |
|                         |                                       | 10          | Nut              | 2        |
|                         |                                       | 78          | Hinge            | 2        |
|                         |                                       | 12          | Screw            | 2        |
| RP40311                 | Top Cover Hinge with Screw            | 78          | Hinge            | 2        |
|                         |                                       | 10          | Nut              | 2        |
|                         |                                       | 12          | Screw            | 2        |
| RP40401                 | Water Bottle with Valve               | 21          | Bottle           | 1        |
|                         |                                       | 22          | Duck bill Valve  | 1        |
| RP40403                 | Front Water Bottle Bracket with Screw | 18          | Bracket          | 1        |
|                         |                                       | 16          | Screw            | 1        |
| RP40404                 | Rear Water Bottle Bracket with Screw  | 19          | Bracket          | 1        |
|                         |                                       | 16          | Screw            | 1        |
| RP40405                 | Brush Tank                            | 26          | Tank             | 1        |
| RP40407                 | Moistening Brush                      | 27          | Brush            | 1        |
| RP42301                 | Right Side Cover Assembly             | 84          | Side Cover       | 1        |
|                         |                                       | 114         | Screw            | 1        |
|                         |                                       | 3           | Screw            | 3        |
|                         |                                       | 63          | Screw            | 1        |
|                         |                                       | 108         | Keypad           | 1        |
|                         |                                       | 201         | Screw            | 2        |
|                         |                                       | 109         | Switch           | 1        |
|                         |                                       | 111         | Display Board    | 1        |
|                         |                                       | 115         | Standoff         | 1        |
|                         |                                       | 116         | Washer           | 1        |
|                         |                                       | 70          | Nut              | 1        |
|                         |                                       | NS          | Strain Relief    | 1        |
| NS                      | Power Cord                            | 1           |                  |          |
| RP40305                 | Left Side Cover                       | 20          | Side Cover       | 1        |
|                         |                                       | 3           | Screw            | 3        |
| RP42410                 | Encoder Assembly                      | 73          | Screw            | 1        |
|                         |                                       | 122         | Encoder Switch   | 1        |
|                         |                                       | 3           | Screw            | 2        |
|                         |                                       | 123         | Encoder Wheel    | 1        |
|                         |                                       | 121         | Encoder Bracket  | 1        |
|                         |                                       | 69          | Screw            | 2        |
|                         |                                       | 70          | Nut              | 2        |
|                         |                                       | 126         | Split Bushing    | 1        |
| NS                      | Connectors                            |             |                  |          |

Replacement Part Table for  
TD 2100 Electric Drawing #1

| Replacement Part Number | Description              | Item Number | Item Description | Quantity |
|-------------------------|--------------------------|-------------|------------------|----------|
| RP40325                 | Cutter Guard with Screws | 67          | Guard w/ Damper  | 1        |
|                         |                          | NS          | Sticker          | 1        |
|                         |                          | 3           | Screw            | 2        |
| RP150536                | Power Switch             | 109         | Switch           | 1        |
| RP42405                 | Display Board and Cable  | 111         | Display Board    | 1        |
|                         |                          | NS          | Cable            | 1        |
| RP40825                 | Fixed Blade Stop         | 211         | Fixed Blade Stop | 1        |

TD 2100 Electric Drawing #1



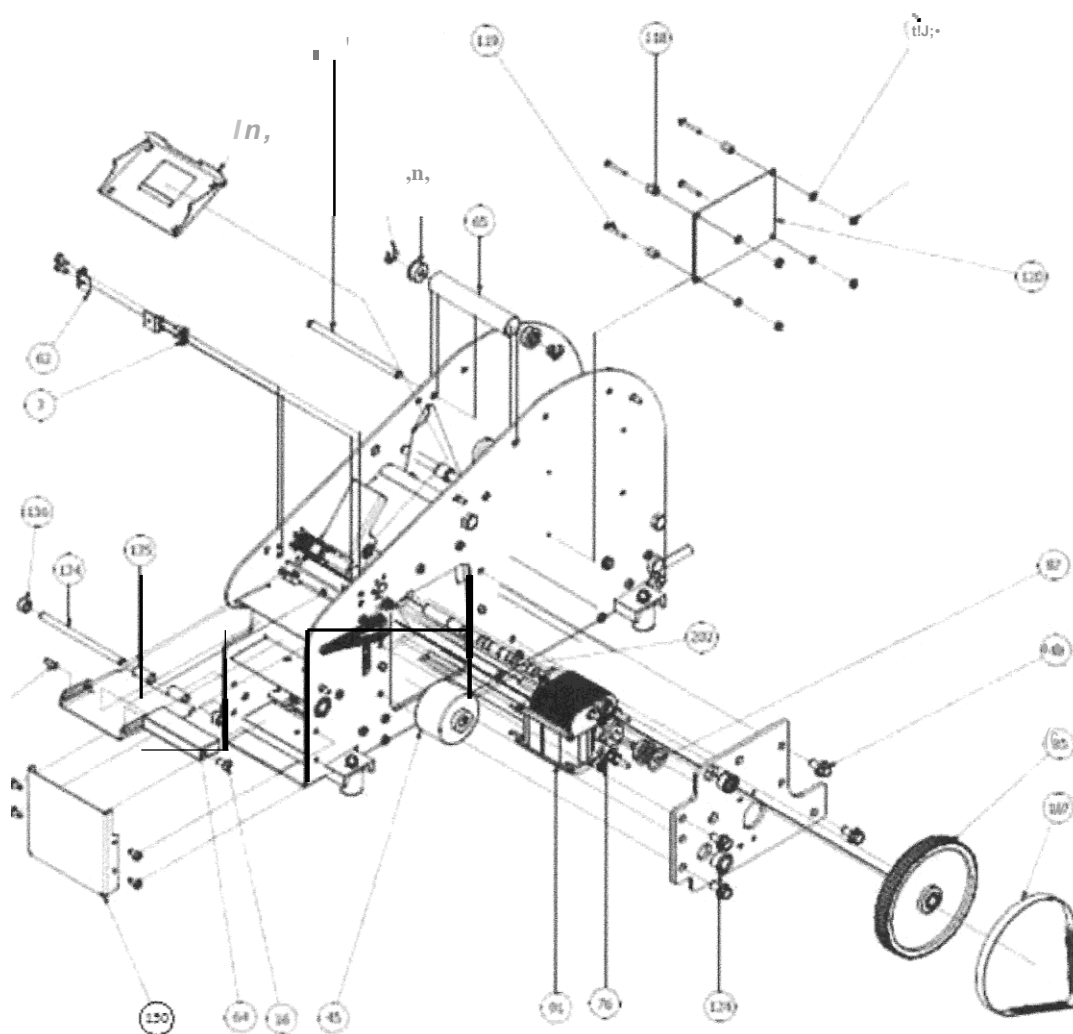
Replacement Part Table for  
TD 2100 Electric Drawing #2

| Replacement Part Number | Description                            | Item Number | Item Description    | Quantity |
|-------------------------|--|-------------|---------------------|----------|
| RP40231                 | 3/8 Bearing                            | 40          | Bearing             | 2        |
| RP40315                 | Ramp                                   | 2           | Cover               | 1        |
|                         |  | 3           | Screw               | 4        |
| RP40505                 | Pressure Plate                         | NS          | Sticker             | 1        |
|                         |  | 77          | Plate               | 1        |
| RP40516                 | Brush Tank Cover With Rod and Bushings | 135         | Weighted Tank Cover | 1        |
|                         |  | 3           | Screw               | 2        |
|                         |  | 136         | Brass Bushing       | 2        |
|                         |  | 134         | Rod                 | 1        |
| RP40517                 | Tape Weight with Screw                 | 64          | Weight              | 1        |
|                         |  | 16          | Screw               | 1        |
|                         |  | 66          | Pin                 | 1        |
| RP40235                 | Urethane Feed Wheel w/ Shaft           | 39/45       | Wheel w/ Shaft      | 1        |
|                         |  | 202         | Screw               | 2        |
| RP41101                 | Gearbox/Motor Mount                    | 42          | Gearbox/Motor       | 1        |
| RP42210                 | 120V Motor                             | 91          | Motor               | 1        |
|                         |  | 76          | Nut                 | 2        |
|                         |  | 98          | Nut                 | 2        |
|                         |  | 42          | Gearbox/Motor Frame | 1        |
|                         |  | NS          | Connector           | 1        |
| RP42811                 | 220V Motor                             | 91          | Motor               | 1        |
|                         |  | 76          | Nut                 | 2        |
|                         |  | 98          | Nut                 | 2        |
|                         |  | 42          | Gearbox/Motor Frame | 1        |
|                         |  | NS          | Connector           | 1        |
| RP40317                 | Front Cover w/ Clips                   | 150         | Front Cover         | 1        |
|                         |  | NS          | Clips               | 4        |
|                         |  | NS          | Screw               | 4        |

Replacement Part Table for  
TD 2100 Electric Drawing #2

| Replacement Part Number | Description                       | Item Number | Item Description | Quantity |
|-------------------------|-----------------------------------|-------------|------------------|----------|
| RP42220                 | Small Timing Pulley               | 87          | Pulley           | 1        |
|                         |                                   | 203         | Screw            | 1        |
| RP42230                 | Large Timing Pulley               | 85          | Pulley           | 1        |
|                         |                                   | 47          | Screw            | 1        |
| RP42240                 | Timing Belt                       | 117         | Belt             | 1        |
| RP42401                 | Controller Board Assembly<br>110V | 119         | Screw            | 4        |
|                         |                                   | 120         | Board 110<br>V   | 1        |
|                         |                                   | 118         | Standoff         | 4        |
|                         |                                   | 116         | Washer           | 4        |
|                         |                                   | 70          | Nut              | 4        |
| RP40236                 | Cutter Guard Clip                 | 62          | Clip             | 1        |
|                         |                                   | 3           | Screw            | 2        |
| RP42402                 | Controller Board Assembly<br>220V | 119         | Screw            | 4        |
|                         |                                   | 120         | Board 220<br>V   | 1        |
|                         |                                   | 118         | Standoff         | 4        |
|                         |                                   | 116         | Washer           | 4        |
|                         |                                   | 70          | Nut              | 4        |
| RP40522                 | Top Roller Assembly               | 129         | Roller           | 1        |
|                         |                                   | 128         | Shaft            | 1        |
|                         |                                   | 61          | E-C lip          | 2        |

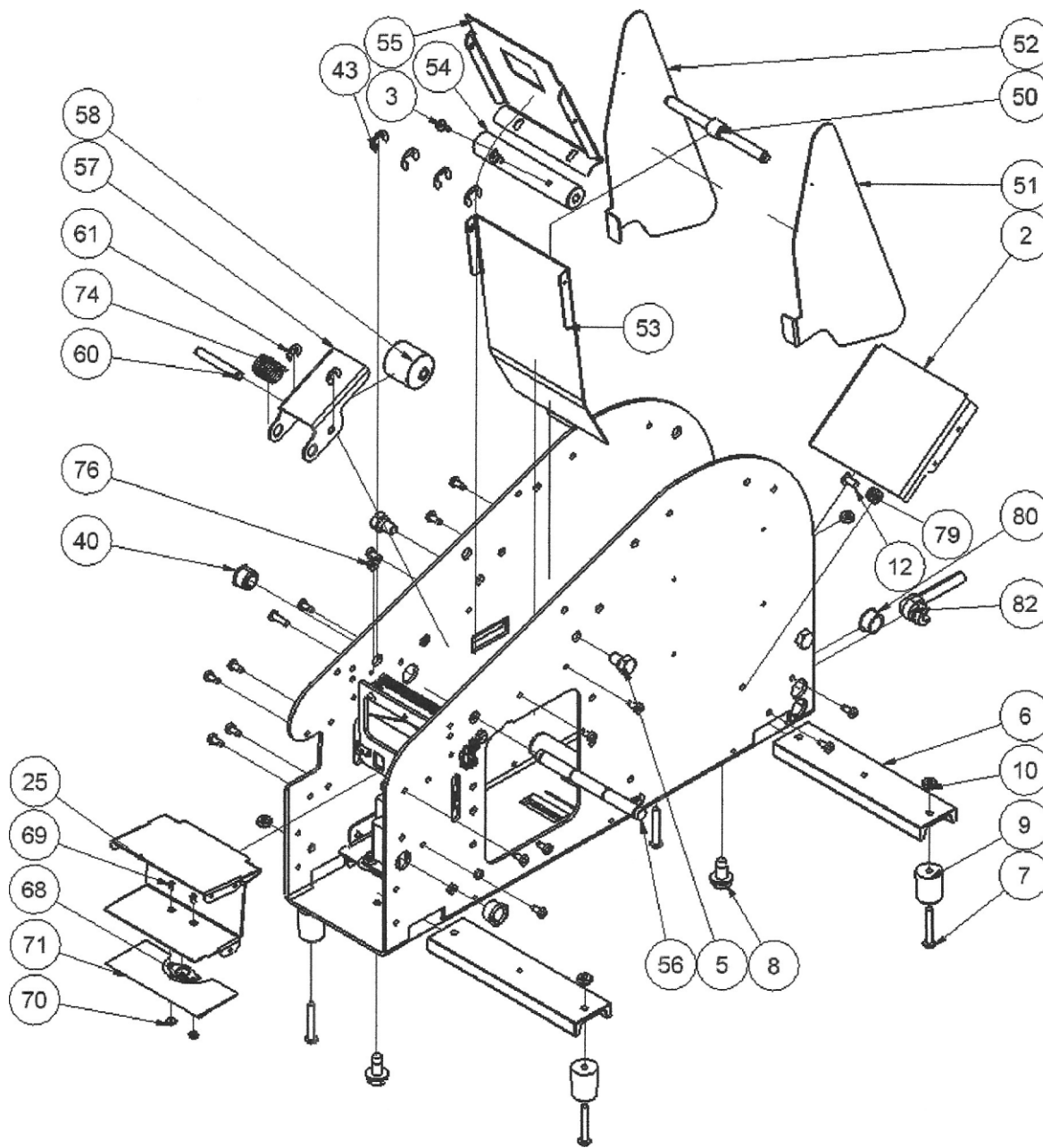
### TD 2100 Electric Drawing #2



Replacement Part Table for  
TD 2100 Electric Drawing #3

| Replacement Part Number | Description                     | Item Number | Item Description  | Quantity |
|-------------------------|---------------------------------|-------------|-------------------|----------|
| RP40110                 | Foot Channel                    | 6           | Bar               | 1        |
|                         |                                 | 8           | Screw             | 1        |
| RP40115                 | Rubber Foot                     | 9           | Rubber Foot       | 1        |
|                         |                                 | 7           | Screw             | 1        |
|                         |                                 | 10          | Nut               | 1        |
| RP40320                 | Tape BaskeUMotor Co'l.er        | 53          | Aluminum Plate    | 1        |
|                         |                                 | 3           | Screw             | 2        |
| RP40515                 | Tape Channel Plate              | 55          | Plate             | 1        |
|                         |                                 | 3           | Screw             | 2        |
| RP40540                 | Pinch Roll Assembly             | 60          | Pin               | 1        |
|                         |                                 | 74          | Spring            | 2        |
|                         |                                 | 61          | E-Clip            | 2        |
|                         |                                 | 56          | Shafi:            | 1        |
|                         |                                 | 57          | Holder            | 1        |
| RP40550                 | Tape Guide Assembly             | 58          | <b>Roll</b>       | 1        |
|                         |                                 | 50          | Turnbuckle        | 1        |
|                         |                                 | 51          | Guide RHS         | 1        |
| RP40560                 | Dead Roller                     | 52          | Guide LHS         | 1        |
|                         |                                 | 54          | Roll              | 1        |
| 5                       | Screw                           | 2           |                   |          |
| RP42956                 | 90° Strain Relief               | 82          | Power Cord Relief | 1        |
| RP42957                 | Dome Plug                       | 80          | Plug              | 1        |
| RP42958                 | Split Bushing                   | 126         | Split Bushing     | 1        |
| <b>RP42978</b>          | Heater/Thermostat Assembly 110V | 25          | Water Tank Holder | 1        |
|                         |                                 | 68          | Thermostat 110V   | 1        |
|                         |                                 | 69          | Screw             | 2        |
|                         |                                 | 70          | Nut               | 2        |
|                         |                                 | 71          | Heater 110V       | 1        |
|                         |                                 | 3           | Screw             | 7        |
|                         |                                 | <b>NS</b>   | Wire              |          |
|                         |                                 | <b>NS</b>   | Wire Connections  |          |
| RP42977                 | Thermostat Assembly 110V        | 68          | Thermostat        | 1        |
|                         |                                 | 69          | Screw             | 2        |
|                         |                                 | 70          | Nut               | 2        |
|                         |                                 | <b>NS</b>   | Wire              |          |
|                         |                                 | <b>NS</b>   | Wire Connections  |          |
| RP42810                 | Heater/Thermostat Assembly 220V | 25          | Water Tank Holder | 1        |
|                         |                                 | 68          | Thermostat 220V   | 1        |
|                         |                                 | 69          | Screw             | 2        |
|                         |                                 | 70          | Nut               | 2        |
|                         |                                 | 71          | Heater 220V       | 1        |
|                         |                                 | 3           | Screw             | 7        |
|                         |                                 | <b>NS</b>   | Wire              |          |
|                         |                                 | <b>NS</b>   | Wire Connections  |          |

### TD 2100 Electric Drawing #3



Replacement Part Table for  
TD 2100 Electric Drawing #4

| Replacement Part Number | Description                | Item Number | Item Description     | Quantity |
|-------------------------|----------------------------|-------------|----------------------|----------|
| RP40522                 | Free Spin Roller Assembly  | 129         | Roller Tube          | 1        |
|                         |                            | 15          | Bearing              | 2        |
|                         |                            | 128         | Shaft                | 1        |
|                         |                            | 61          | E-Clip               | 2        |
| RP40580                 | Coder Roller               | 4           | Roller               | 1        |
| RP40701                 | Cutter Replacement Kit     | 29          | Cutter Blade Holder  | 1        |
|                         |                            | 30          | Cutter Blade-Movable | 1        |
|                         |                            | 36          | Fixed Blade          | 1        |
|                         |                            | 37          | Fixed Blade Shoe     | 2        |
|                         |                            | 38          | Spring               | 2        |
|                         |                            | 31          | Set Screw            | 1        |
|                         |                            | 73          | Screw                | 2        |
|                         |                            | 33          | Screw                | 2        |
|                         |                            | 28          | Bushing              | 2        |
|                         |                            | 32          | Cutter Guide         | 2        |
| RP40710                 | Cutter Blade-Movable       | 30          | Cutter Blade-Movable | 1        |
|                         |                            | 73          | Screw                | 2        |
|                         |                            | 31          | Set Screw            | 1        |
| RP40715                 | Cutter Blade-Fixed         | 36          | Fixed Blade          | 1        |
|                         |                            | 38          | Extension Spring     | 4        |
|                         |                            | NS          | Screw                | 1        |
|                         |                            | 37          | Fixed Blade Shoe     | 1        |
| RP40740                 | Cutter Springs-Fixed Blade | 38          | Extension Spring     | 4        |
| RP42160                 | Solenoid Spring            | 210         | Solenoid Spring      | 2        |
|                         |                            | 3           | Screw                | 2        |
|                         |                            | NS          | Spring Clips         | 2        |
|                         |                            | 76          | Nut                  | 3        |
|                         |                            | 105         | Washer               | 2        |
|                         |                            | NS          | Connection Bar       | 1        |
|                         |                            | 107         | Shoulder Bolt w/ Pin | 1        |
| RP42150                 | Solenoid Assembly 110V     | 102         | Solenoid, 110V       | 1        |
|                         |                            | 101         | Mounting Shelf       | 1        |
|                         |                            | 103         | Screw                | 6        |
|                         |                            | 208         | Nut                  | 4        |
|                         |                            | 107         | Shoulder Bolt w/ Pin | 1        |
|                         |                            | 105         | Washer               | 2        |
|                         |                            | 210         | Solenoid Spring      | 2        |
|                         |                            | NS          | Connection Bar       | 1        |
|                         |                            | NS          | Wires                |          |
|                         |                            | NS          | Connections          |          |



Replacement Part Table for  
TD 2100 Electric Drawing #4

|         |                        |           |                      |   |
|---------|------------------------|-----------|----------------------|---|
|         |                        | 102       | Solenoid, 220V       | 1 |
|         |                        | 101       | Mounting Shelf       | 1 |
|         |                        | 103       | Screw                | 4 |
|         |                        | 208       | Nut                  | 5 |
| RP42151 | Solenoid Assembly 220V | 107       | Shoulder Bolt w/ Pin | 1 |
|         |                        | 105       | Washer               | 2 |
|         |                        | <b>NS</b> | Wires                |   |
|         |                        | <b>NS</b> | Connections          |   |
|         |                        | 210       | Solenoid Spring      | 2 |
|         |                        | <b>NS</b> | Connection Bar       | 1 |

TD 2100 Electric Drawing #4

