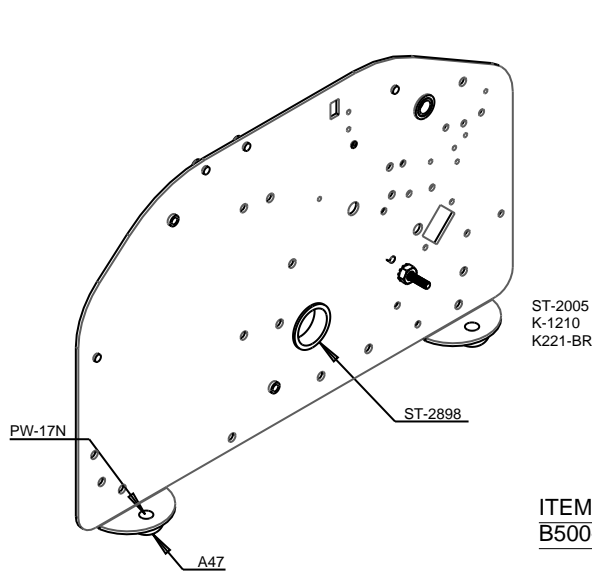
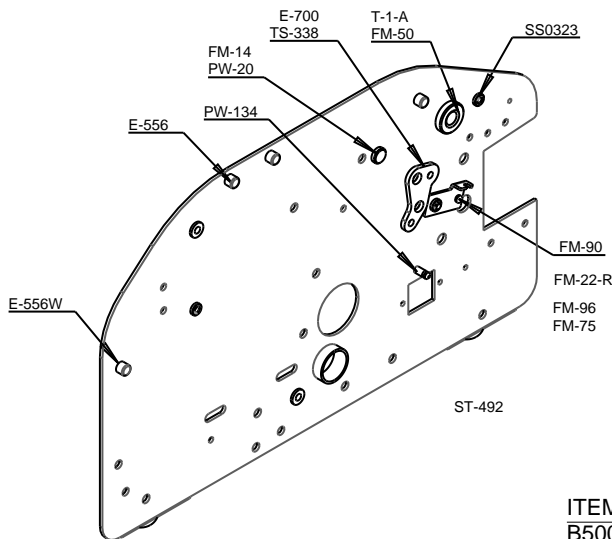
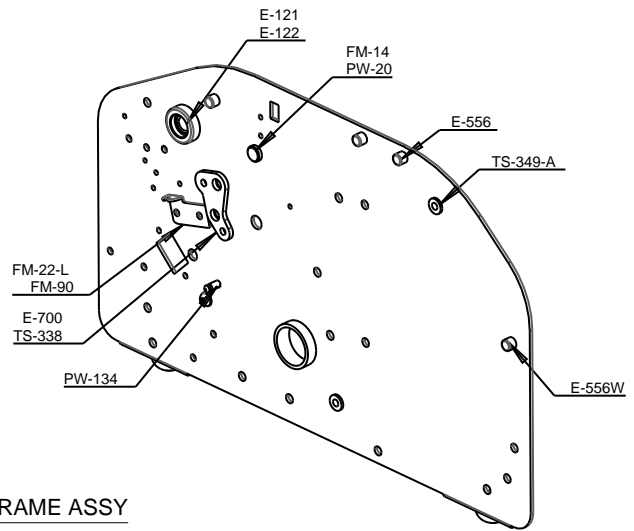


**BP500 ITEM LIST**  
**Better Packages, Inc.®**

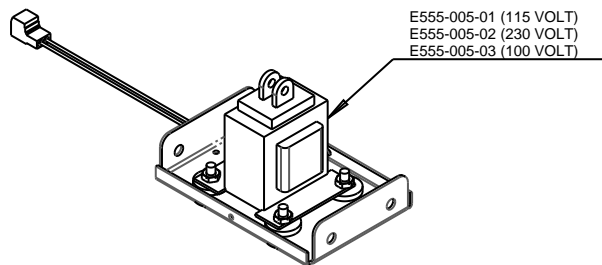
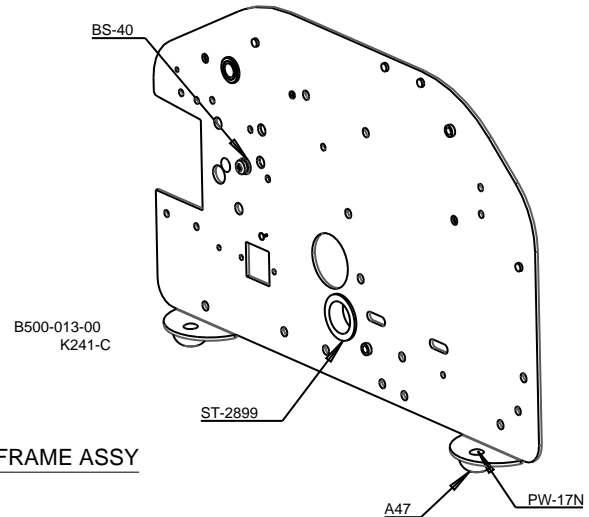
Shelton, CT 06484



ITEM 1 - LEFT FRAME ASSY  
B500-L-XXX



ITEM 2 - RIGHT FRAME ASSY  
B500-R-XXX



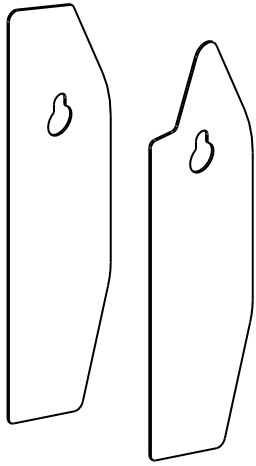
ITEM 3 - SOLENOID SHELF ASSY

MODEL	PART NUMBER
BP500	B500-035-01
BP500M	B500-035-02
BP500J	B500-035-03

## BP500 ITEM LIST

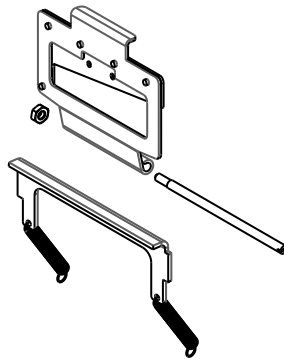
**Better Packages, Inc.®**

Shelton, CT 06484

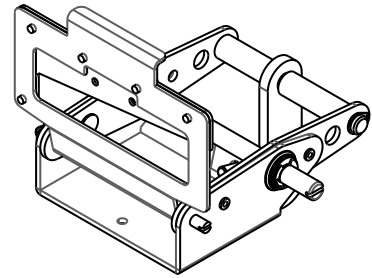


ITEM 4 - ROLL GUIDE

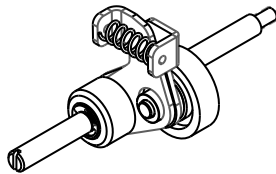
MODEL	PART NUMBER
BP500	B500-004-00
BP500M	B500-004-00
BP500J	B500-004-00
BP500IJ	B500-004-IJ



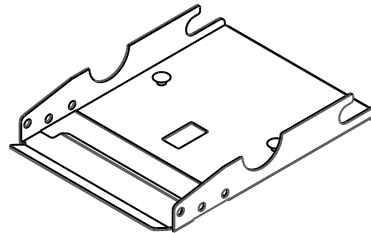
B500-031-K  
BLADE KIT, BP500



ITEM 6 - CUTTER YOKE ASSY  
B500-021-02

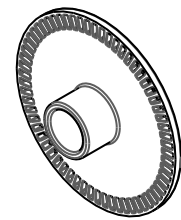


ITEM 7 - IDLER & SHAFT ASSY  
E-626-XXX

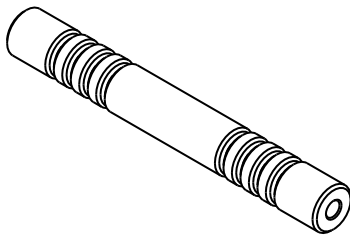


ITEM 8 - ASSY, LOWER TAPE PLATE

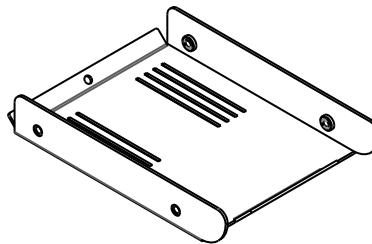
MODEL	PART NUMBER
BP500	FM-11AX
BP500M	FM-11AX
BP500J	FM-11JX
BP500IJ	FM-11AX
BP500A-IJ	FM-11AX-A



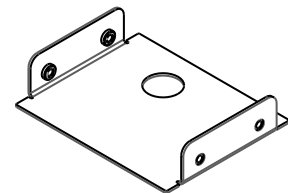
ITEM 9 - ENCODER WHEEL  
E555-150-00



ITEM 10 - SLOTTED TIE ROD  
FM-56

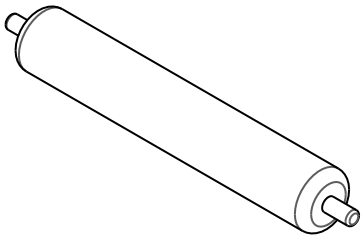


ITEM 11 - BASKET  
FM-57-X

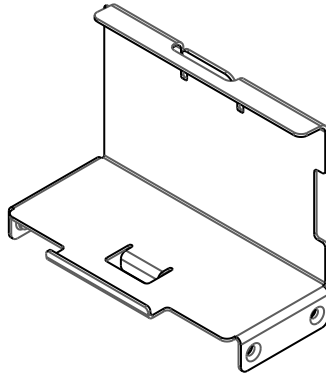


ITEM 12 - VERTICAL TIE PLATE  
FM-58-X



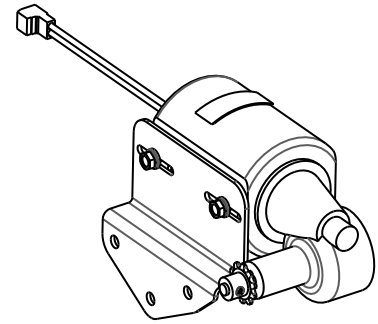


ITEM 13 - TAPE ROLLER ASSY  
FM-59-X



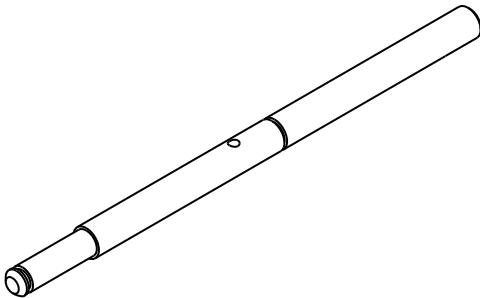
ITEM 14 - SAFETY BAFFLE

MODEL	PART NUMBER
BP500	TS33-032-01
BP500M	TS33-032-01
BP500J	TS33-032-01
BP500IJ	TS33-032-01
BP500A-IJ	TS33-032-01-A

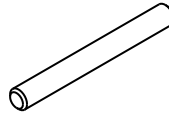


ITEM 15 - MOTOR BRACKET ASSY

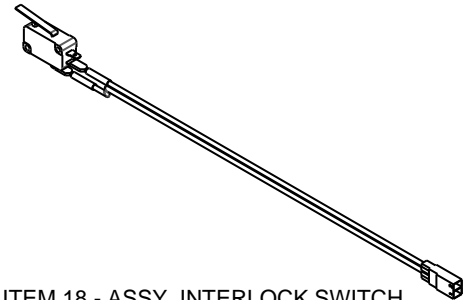
MODEL	PART NUMBER
BP500	E555-044-01
BP500M	E555-044-02
BP500J	E555-044-03



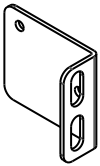
ITEM 16 - SHAFT, FEED WHEEL  
B500-011-00



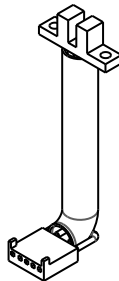
ITEM 17 - PIN, FEED WHEEL SHAFT  
EA-46P



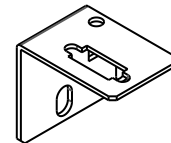
ITEM 18 - ASSY, INTERLOCK SWITCH  
B500-016-01



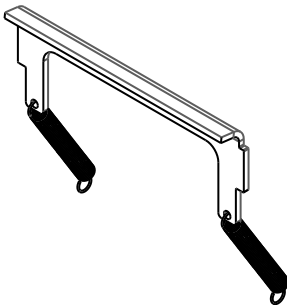
ITEM 19 - BRACKET, INTERLOCK SWITCH  
B500-007-00



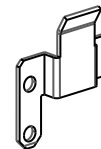
ITEM 20 - ASSY, SENSOR  
B500-017-01



ITEM 21 - BRACKET, SENSOR  
B500-018-00



ITEM 22 - STATIONARY BLADE ASSY  
FM-21-X

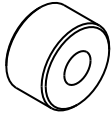


ITEM 24 - INTERLOCK SWITCH GUARD  
B500-019-00

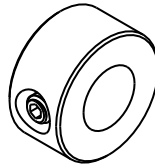


**BP500 ITEM LIST**  
**Better Packages, Inc.®**

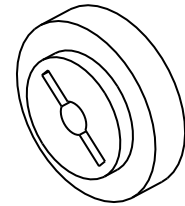
Shelton, CT 06484



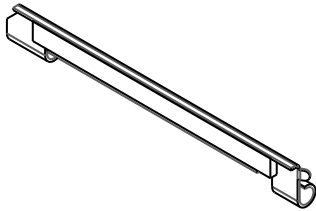
ITEM 25 - SHEAR GUIDE ROLLER, NARROW  
FM-18



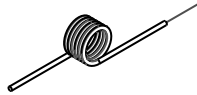
ITEM 26 - COLLAR & SET SCREW ASSY  
K-37-X



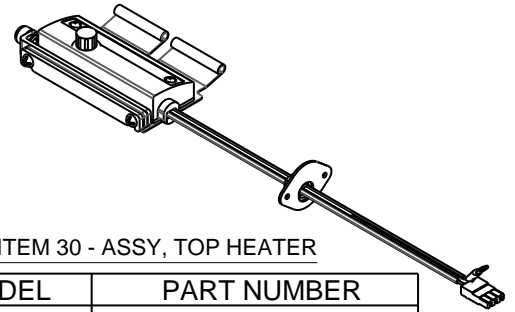
ITEM 27 - FEED WHEEL  
E555-065-00



ITEM 28 - FELT/BRACKET ASSY  
SA-10-X

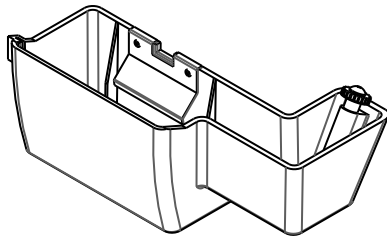


ITEM 29 - WIRE SPRING  
SA-13

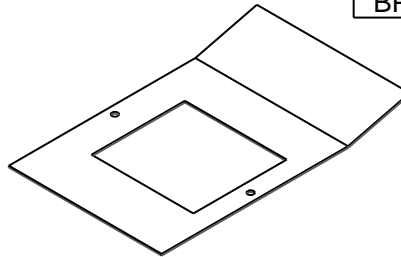


ITEM 30 - ASSY, TOP HEATER

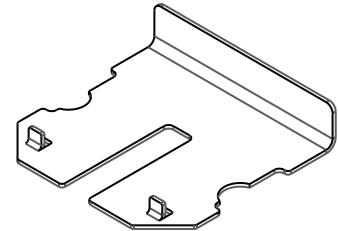
MODEL	PART NUMBER
BP500	TH55-L-XXX
BP500M	TH55-L-XXX-230
BP500J	TH55-LJ-XXX
BP500IJ	TH55-L-XXX
BP500A-IJ	TH55-L-XXX-A



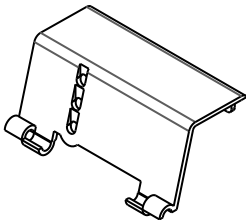
ITEM 31 - TANK ASSY  
E-561-PX



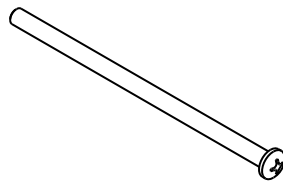
ITEM 32 - BOTTOM PLATE  
E-690



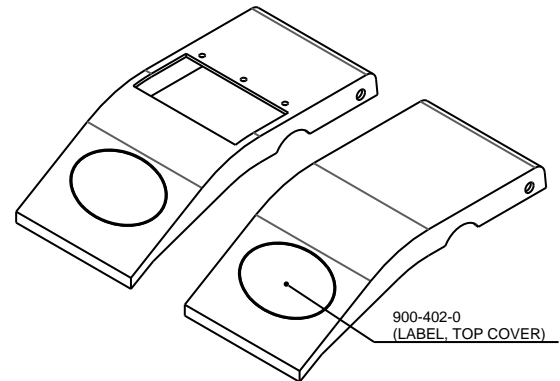
ITEM 33 - UPPER TAPE PLATE  
FM-12EL



ITEM 34 - LOWER FRONT COVER  
FM-3



ITEM 35 - TIE SCREW  
FM-61



ITEM 36 - FRONT COVER ASSY

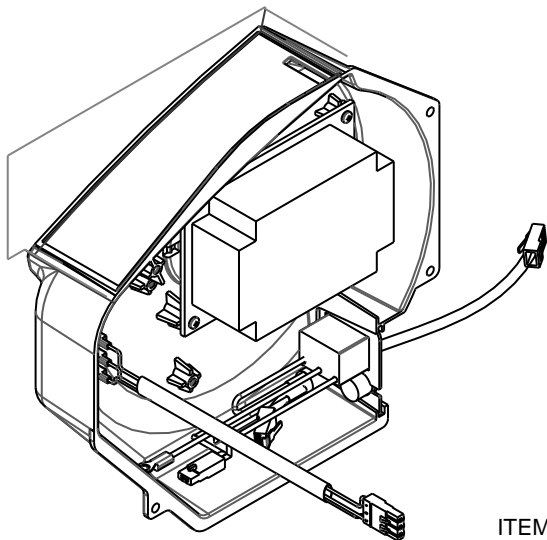
MODEL	PART NUMBER
BP500	E-582X
BP500M	E-582X
BP500J	E-582X
BP500IJ	E-582-IJX

900-402-0  
(LABEL, TOP COVER)

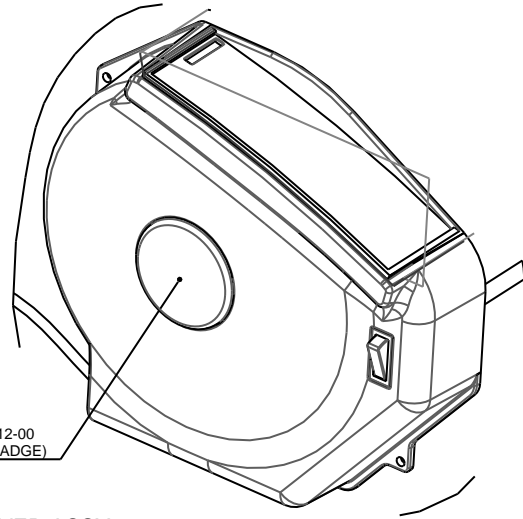
## BP500 ITEM LIST

 **Better Packages, Inc.®**

Shelton, CT 06484

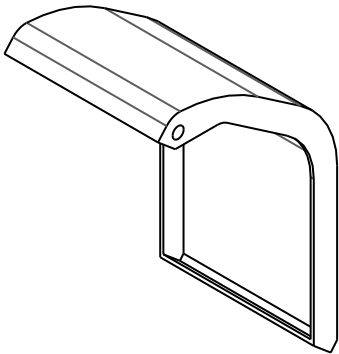


B500-012-00  
(BADGE)

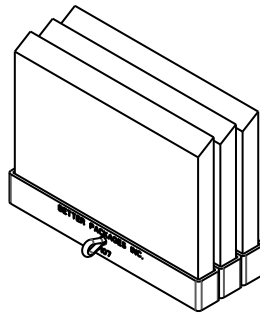


ITEM 37 - LEFT COVER ASSY

MODEL	PART NUMBER
BP500	B500-002-01
BP500M	B500-002-02
BP500J	B500-002-03
BP500IJ	B500-002-IJ
BP500J-IJ	B500-002J-IJ
BP500M-IJ	B500-002M-IJ
BP500A-IJ	B500-002A-IJ



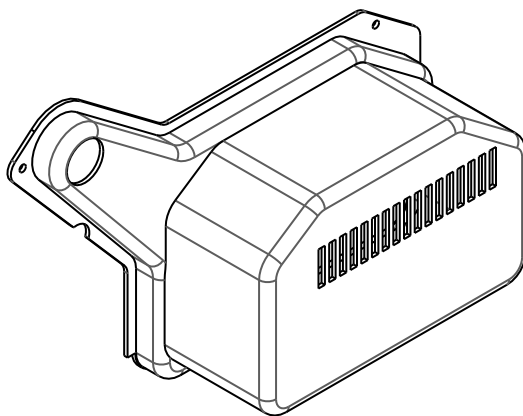
ITEM 38 - REAR COVER  
E-583



ITEM 39 - BRUSH ASSY  
E-107-X



ITEM 40 - FEED SHAFT SPROCKET  
ND-114-A



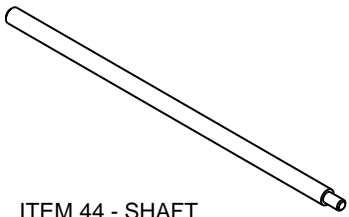
ITEM 41 - CHAIN  
ND-116

ITEM 42 - MOTOR & CHAIN COVER  
E-559

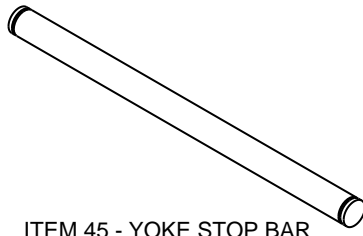


ITEM 43 - CUTTER SPRING  
E-585-C

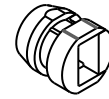




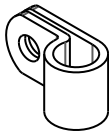
ITEM 44 - SHAFT  
E-580



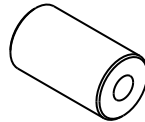
ITEM 45 - YOKE STOP BAR  
E-527



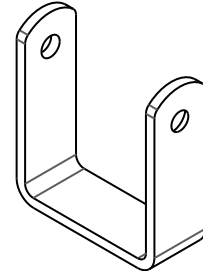
ITEM 46 - STRAIN RELIEF BUSHING  
ST-1628



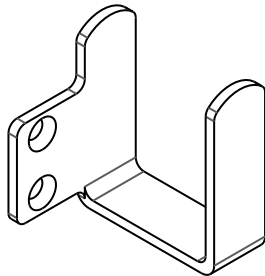
ITEM 47 - CLIP  
E-676



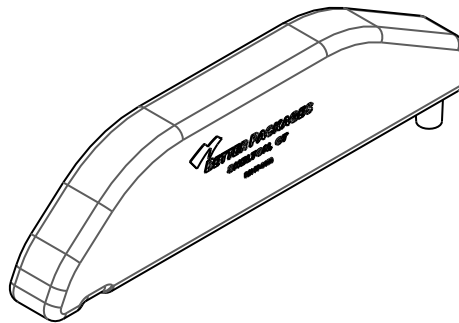
ITEM 48 - SPACER  
ST-1592



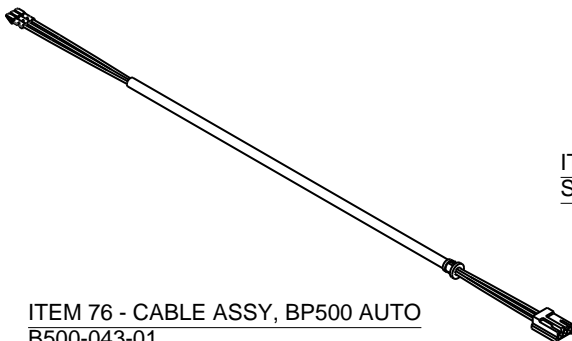
ITEM 49 - BOTTLE BRACKET, FRONT  
FF-6120



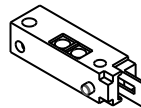
ITEM 50 - BOTTLE BRACKET, REAR  
FF-6110



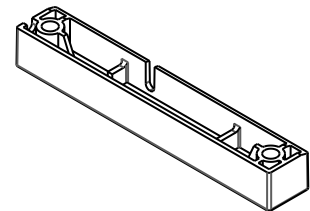
ITEM 51 - WATER BOTTLE  
FF-6100



ITEM 76 - CABLE ASSY, BP500 AUTO  
B500-043-01



ITEM 77 - PHOTOMICRO SENSOR FOR AUTO  
ST-2981



ITEM 78 - SENSOR COVER  
B500-041-00



ITEM 79 - LOOM TUBING, AUTO  
ST-2978





ITEM 54 - WASHER, .257 ID x 3/4 OD  
E-637



ITEM 55 - WASHER, MOTOR BRACKET  
ND-125



ITEM 56 - WASHER  
ST-2528



ITEM 57 - WASHER, FLAT #8  
ST-1965



ITEM 58 - NUT, #10-24  
ST-2890



ITEM 59 - RETAINING RING  
WK-20



ITEM 60 - INTERNAL LOCKWASHER  
1214



ITEM 61 - E-RING  
FM-101



ITEM 62 - RETAINING RING  
WK-2



ITEM 63 - KEPS NUT, 1/4-20  
ST-2882



ITEM 64 - HEX NUT  
K-223



ITEM 65 - ACORN NUT  
ST-2881



ITEM 66 - NUT, #4-40 KEPS  
ST-1068



ITEM 67 - SCREW, #6 x 1/4 PHP  
EA70



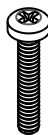
ITEM 68 - SCREW, 1/4-20 1/2" LG PHP  
TO-256



ITEM 69 - SCREW, 1/4-20 x 3/4 HEX HD  
TS-415



ITEM 70 - SCREW, #8-32 x 5/16 RHP  
K-255



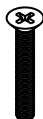
ITEM 71 - SCREW, #4-40 x 5/8, PHP  
ST-2897



ITEM 72 - SCREW, #10-32 x 1 1/8, PHP  
K201-F



ITEM 73 - SCREW, #10-32 x 1/2 RHP  
W/ LOCTITE PATCH  
FM-96P



ITEM 74 - SCREW, #10-32 x 1 1/4, FHP  
ST-2924



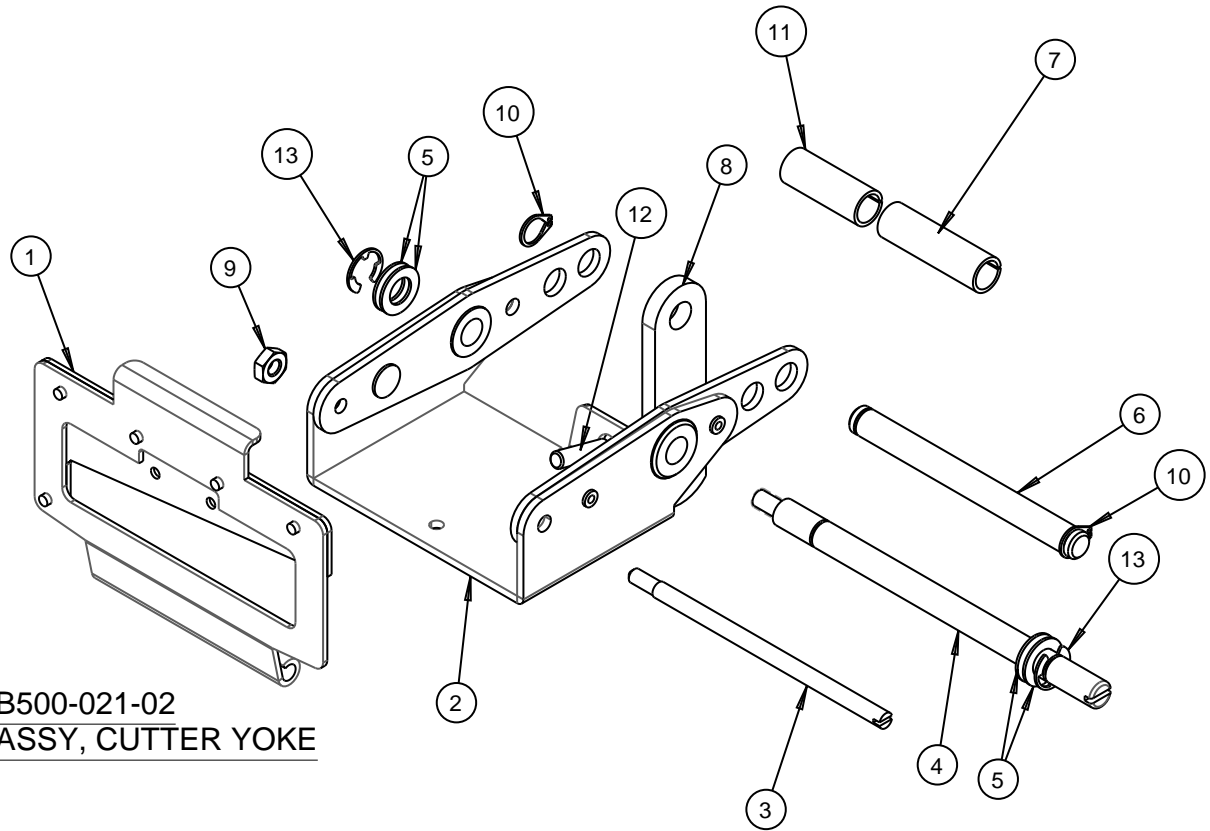
ITEM 75 - SCREW, #10-24 x 3/8 PHP (SEMS)  
ST-1949



**BP500 HARDWARE LIST**  
**Better Packages, Inc.®**

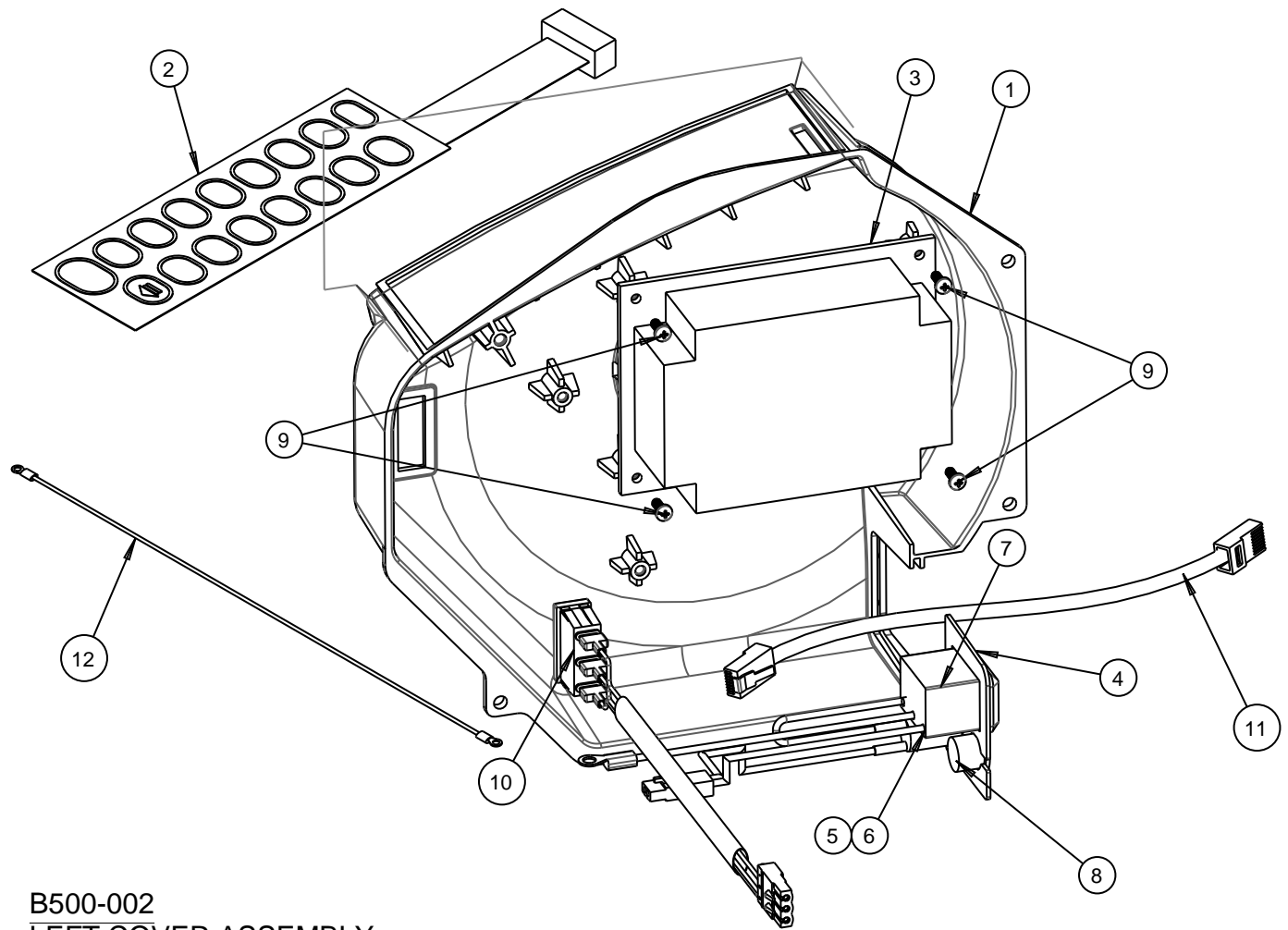
Shelton, CT 06484





**B500-021-02**  
**ASSY, CUTTER YOKE**

ITEM	PART NUMBER	DESCRIPTION
1	B500-021-02	ASSY, CUTTER
2	E584-RAX	ASSY, YOKE BRACKET
3	FM-25-B	BLADE HOLDER PIVOT PIN
4	FM-32	ROCKER SHAFT
5	SX49A	WASHER, .32 x 9/16 x 1/32
6	E-623	CUTTER YOKE LINK PIVOT SHAFT
7	E-624	RIGHT, CUTTER YOKE LINK SPACER
8	E555-020-0	SOLENOID LINK
9	K221B	BOOT NUT, 10-32
10	WK2	RETAINING RING
11	E-625	LEFT, CUTTER YOKE LINK SPACER
12	FM-73	SCREW, #10-32 x 3/4 OVAL
13	FM-94	RETAINING RING



**B500-002**  
**LEFT COVER ASSEMBLY**

ITEM	PART NUMBER	DESCRIPTION	MODEL
1	B500-002-00	COVER, B500 LEFT SIDE	ALL MODELS
2	B500-003-01	KEYBOARD ASSY, B500, INCH	115v IN
2	B500-003-02	KEYBOARD ASSY, B500, CM	220v CM, 115v IN
3	B500-001-01	PCB ASSY, BP500 CONTROLLER BOARD	115v IN
3	B500-001-02	PCB ASSY, BP500M CONTROLLER BOARD	220v CM
3	B500-001-03	PCB ASSY, BP500J CONTROLLER BOARD	115v CM
3	B500-036-01	PCB ASSY, BP500IJ CONTROLLER BOARD	115v IN INK JET COMPATIBLE
3	B500-036-01-A	PCB ASSY, BP500IJ CONTROLLER BOARD W/AUTO	115v INK JET COMP. W/AUTO
3	B500-036-02	PCB ASSY, BP500MIJ CONTROLLER BOARD	220v CM, INK JET COMPATIBLE
3	B500-036-03	PCB ASSY, BP500JIJ CONTROLLER BOARD	100v CM, INK JET COMPATIBLE
4	B500-006-00	PLATE, POWER ENTRY, SINGLE FUSE	115v IN, 115v CM
4	B500-010-00	PLATE, POWER ENTRY, DOUBLE FUSE	220v CM, 220v IN
5	ST-2341	FUSE, 4A, 5MM x 20MM, SLO BLO	115v IN, 115v CM
5	ST-2490	FUSE, 2A, 5MM x 20MM, SLO BLO, 250V	220v IN, 220v CM
6	ST-2321	FUSE HOLDER	ALL MODELS
7	E555-128-01	LINE FILTER ASSY	ALL MODELS
8	ST-2873	PANEL PLUG	115v IN, 115v CM
8	TH-105	PANEL PLUG	115v INK JET COMPATIBLE
9	ST-2876	SCREW, PLASTITE, #8 x 3/8" LG	ALL MODELS
10	B500-014-01	SWITCH ASSY	ALL MODELS
11	IJP-COM-CABLE	IJP PRINTER/DISPENSER COMMUNICATION CABLE	IJP MACHINES
12	B500-040-01	GROUND WIRE ASSY FOR IJ MACHINES	IJP & IJP/AUTO MACHINES